

## RELEASING SPEAR STOP SUB ASSEMBLIES

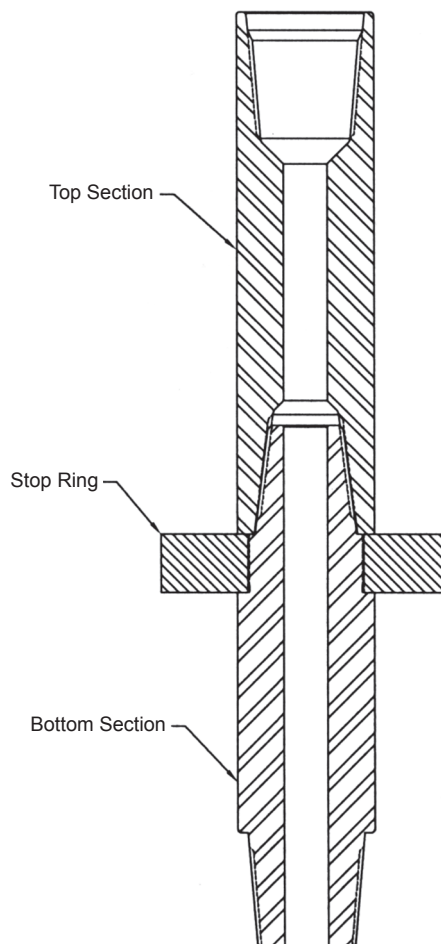
### Overview

The Logan Releasing Spear Stop Sub Assembly is an accessory designed to convert a releasing spear with a flush-type mandrel into a shouldered type spear. It is installed in the box connection at the top of the mandrel when the use of a positive stop is desired or required.

A stop ring can be added to increase shoulder diameter. All stop rings are furnished with left-hand threads.

### When ordering, please specify:

- (1) O.D. of Stop Subs
- (2) Length from stop to threaded connection
- (3) Top and bottom connection desired
- (4) Assembly number of spear on which the stop sub will be run
- (5) O.D. of Stop Ring



STANDARD STOP SUB & FLUSH MANDREL OD		2-5/16	3-1/8	3-1/2	3-5/8	4-1/32	5
STOP SUB ASSEMBLY	Logan Part No.	400-071	400-064	400-063	400-050	400-051	400-052
<b>STOP SUB (2 PCS. REQ'D)</b>							
UPPER SECTION 18" LENGTH	Logan Part No.	F11009-A	F110002-A	F110005-A	F11000-A	F11001-A	F11002-A
LOWER SECTION 12" LENGTH	Logan Part No.	F11009-B	F110002-B	F110005-B	F11000-B	F11001-B	F11002-B
STOP RING	Logan Part No.	F12009	F120002	F120005	F12000	F12001	F12002
	Minimum O.D.	...	4-1/8	4-1/8	4-1/2	5	6

STANDARD STOP SUB & FLUSH MANDREL O.D.		5-3/4	7-1/4	7-3/4	8-1/4	11-3/4
STOP SUB ASSEMBLY	Logan Part No.	400-053	400-054	400-062	400-065	400-056
<b>STOP SUB (2 PCS. REQ'D)</b>						
UPPER SECTION 18" LENGTH	Logan Part No.	F11003-A	F11004-A	F11005-A	F11015-A	F11006-A
LOWER SECTION 12" LENGTH	Logan Part No.	F11003-B	F11004-B	F11005-B	F11015-B	F11006-B
STOP RING	Logan Part No.	F12003	F12004	F12005	F12015	F12006
	Minimum O.D.	7	8-5/8	9-5/8	9-5/8	13-3/8

Logan Oil Tools reserves the right to change or discontinue designs without notice.