

REVERSE CIRCULATION JUNK BASKETS

Overview

Utilizing the principal of reverse fluid circulation, the Logan Reverse Circulation Junk Basket has been designed to remove all types of small junk objects from the hole. The tool's drain feature eliminates pulling a wet string. Even when the tool is fitted with a magnet insert, reverse circulation is maintained.

Construction

The Logan Reverse Circulation Junk Basket consists of a lifting sub, top sub, barrel, type A mill shoe, and a single junk catcher. A lifting sub is provided for ease of handling and for storage of the steel drop ball. Assemblies with two junk catchers are available upon request.

For component breakdown of the junk catcher assemblies, refer to the Junk Catcher Assemblies tables on pages 114 – 123.

Optional Accessories

Mill shoes for all reverse circulation junk baskets are available in three types: A, B, and C.

Type A Mill Shoe

Conventional hard metal with side wings.

Type B Mill Shoe

Similar to the Type A design, but dressed with sintered tungsten carbide.

Type C Mill Shoe

Flat bottomed and dressed with sintered tungsten carbide.

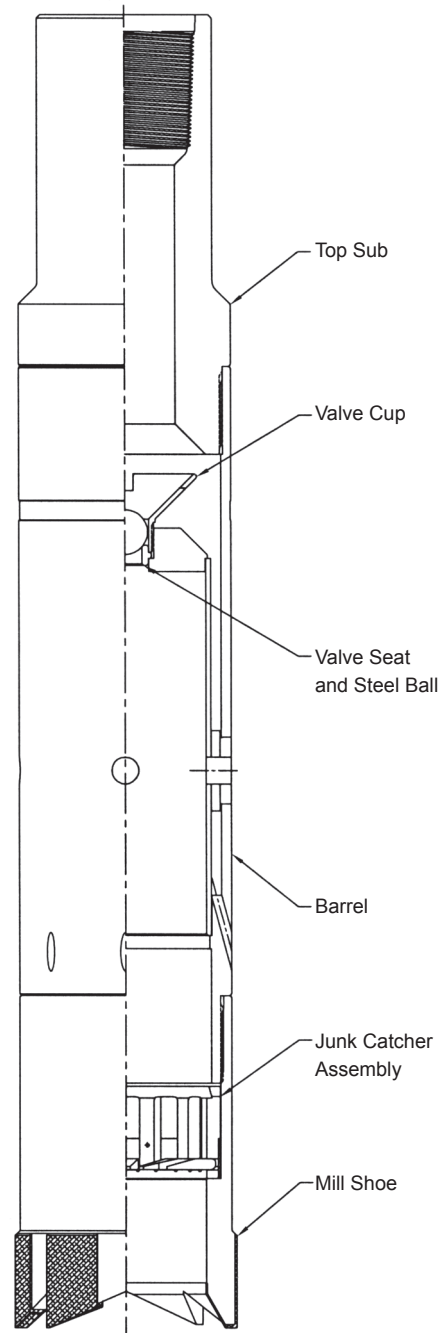
Magnet Inserts

Reverse Circulation Junk Baskets can easily be converted to an effective fishing magnet by replacing the junk catcher assembly with a magnet insert.

Operation

The Logan Reverse Circulation Junk Basket is made up to the bottom of the fishing string and lowered to a point within several feet from the bottom of the hole. Begin circulation to wash the hole. Stop circulation and drop the steel ball. (When the steel ball is dropped into the valve seat, circulation fluid travels outward and downward through the inner passage of the barrel and out through the vents in the lower end. The fluid is then deflected to the center of the tool and up through the return holes in the upper end of the barrel. This reverse fluid circulation carries the junk into the barrel above the junk catcher.)

Begin circulation again, slowly rotating while lowering the tool until a 10-inch core has been cut. Stop rotation and circulation and pull the tool from the hole.



LOGAN GENERAL CATALOG

OIL TOOLS

REVERSE CIRCULATION JUNK BASKETS

HOLE SIZE		3-3/4 to 4	4-1/8 to 4-1/2	4-5/8 to 5	5-1/8 to 5-1/2	5-11/16 to 6	6-1/8 to 6-1/2	6-5/8 to 7-3/8
BARREL O.D.		3-5/8	4	4-1/2	4-7/8	5-1/8	5-3/4	6-1/4
MAXIMUM DIAMETER OF FISH		2-11/32	2-17/32	3-1/16	3-9/16	3-3/4	4-13/32	4-3/4
COMPLETE ASSEMBLY	Logan Part No.	302-363	302-400	302-450	302-487	302-513	302-575	302-625
	Bowen No.	6635	7295	4448	4572	2618	2670	2677
TOP SUB	Logan Part No.	D1000	D1001	D1002	D1003	D1004	D1005	D1006
	Bowen No.	6636	7296	4449	4573	2619	2671	2678
BARREL	Logan Part No.	D2000	D2001	D2002	D2003	D2004	D2005	D2006
	Bowen No.	6637	7297	4450	4574	2620	2672	2679
VALVE CUP	Logan Part No.	D3000	D3000	D3002	D3002	D3004	D3004	D3004
	Bowen No.	6638	6638	4451	4451	2621	2621	2621
STEEL BALL	Logan Part No.	D4000	D4000	D4002	D4002	D4004	D4004	D4004
	Bowen No.	6640	6640	4453	4453	2623	2623	2623
VALVE SEAT	Logan Part No.	D5000	D5000	D5002	D5002	D5004	D5004	D5004
	Bowen No.	6639	6639	4452	4452	2622	2622	2622
LIFTING SUB	Logan Part No.	D6000	D6000	D6002	D6002	D6004	D6004	D6006
	Bowen No.	4568	4568	424	424	425	425	1849
JUNK CATCHER ASSEMBLY (See Note 1)	Logan Part No.	600-015	600-016	600-017	600-018	600-019	600-020	600-021
	Bowen No.	21795W	21855W	21780W	21790W	21735W	28349W	21750W
TYPE A MILL SHOE (Hard Faced Mill Teeth)	Logan Part No.	D8000-A	D8001-A	D8002-A	D8003-A	D8004-A	D8005-A	D8006-A
	Bowen No.	6642A	7299A	4455A	4576A	2625A	2676A	2683A

OPTIONAL COMPONENTS

TYPE B MILL SHOE (Tungsten Carbide Mill Teeth)	Logan Part No.	D8000-B	D8001-B	D8002-B	D8003-B	D8004-B	D8005-B	D8006-B
	Bowen No.	6642B	7299B	4455B	4576B	2625B	2676B	2683B
TYPE C MILL SHOE (Tungsten Carbide Faced)	Logan Part No.	D8000-C	D8001-C	D8002-C	D8003-C	D8004-C	D8005-C	D8006-C
	Bowen No.	6642C	7299C	4455C	4576C	2625C	2676C	2683C
FINGER SHOES (Complete Assembly)	Logan Part No.	600-100	600-101	600-102	600-103	600-104	600-105	600-106
	Bowen No.	6643	7300	4456	4577	22208	22218	2739
	Max. Dia. of Fish	3-1/4	3-3/4	4-1/16	4 1/2	4-3/4	5-17/32	5-29/32
BODY	Logan Part No.	D7000	D7001	D7002	D7003	D7004	D7005	D7006
	Bowen No.	6643-2	7300-2	4456-2	4577-2	22208-2	22218-2	2739-2
REPLACEMENT	Logan Part No.	D10000	D10001	D10002	D10003	D10004	D10005	D10006
	Bowen No.	6643-1	7300-1	4456-1	4577-1	22208-1	22218-1	2739-1
MAGNET INSERTS (Complete Assembly)	Logan Part No.	600-045	600-046	600-047	600-048	600-049	600-050	600-051
	Bowen No.	61836	61848	61840	61850	61852	61866	61872
MAGNETIC ASSEMBLY	Logan Part No.	600-068	600-069	600-069	600-070	600-070	600-071	600-072
	Bowen No.	61810	61812	61812	61814	61814	61816	61818
ADAPTER	Logan Part No.	E4028	E4029	E4016	E4030	E4003	E4018	E4019
	Bowen No.	61837	61849	61841	61851	61853	61867	61873

Logan Oil Tools reserves the right to change or discontinue designs without notice.

Special Notes:

- (1) For component breakdown of the junk catcher assemblies, refer to Junk Catcher Assemblies chart.
- (2) For type A, B, or C shoes: unless specified, shoes will be furnished with the same O.D. as minimum hole size shown.
- (3) Finger shoe replacements are furnished with the same O.D. as standard shoe unless otherwise specified.

When ordering, please specify:

- (1) Complete assembly or part number
- (2) Top Sub connection
- (3) O.D. and type of shoe

Recommended Spare Parts:

- (1) 2 Upper Catchers
- (2) 2 Lower Catchers
- (3) 2 Mill Shoes
- (4) 2 Finger Shoes
- (5) 4 Finger Shoe Replacements

LOGAN GENERAL CATALOG

OIL TOOLS

REVERSE CIRCULATION JUNK BASKETS

HOLE SIZE		7-1/2 to 8-1/4	8-3/8 to 9-1/2	9-5/8 to 10-5/8	10-3/4 to 11-5/8	11-3/4 to 12-1/2	12-5/8 to 13-5/8	13-3/4 to 16
BARREL O.D.		7	7-7/8	9-1/8	10-1/8	11	11-7/8	13
MAXIMUM DIAMETER OF FISH		5-3/16	6-1/16	7-1/16	7-11/16	8-5/16	8-11/16	9-7/8
COMPLETE ASSEMBLY	Logan Part No.	302-700	302-787	302-913	302-1013	302-1100	302-1187	302-1300
	Bowen No.	2554	2567	2659	2684	2690	2696	2702
TOP SUB	Logan Part No.	D1007	D1008	D1009	D1010	D1011	D1012	D1013
	Bowen No.	2493	2568	2660	2685	2691	2697	2703
BARREL	Logan Part No.	D2007	D2008	D2009	D2010	D2011	D2012	D2013
	Bowen No.	2555	2569	2661	2686	2692	2698	2704
VALVE CUP	Logan Part No.	D3007	D3007	D3009	D3009	D3009	D3009	D3009
	Bowen No.	2570	2570	2662	2662	2662	2662	2662
STEEL BALL	Logan Part No.	D4007	D4007	D4009	D4009	D4009	D4009	D4009
	Bowen No.	2572	2572	2665	2665	2665	2665	2665
VALVE SEAT	Logan Part No.	D5007	D5007	D5009	D5009	D5009	D5009	D5009
	Bowen No.	2571	2571	2663	2663	2663	2663	2663
LIFTING SUB	Logan Part No.	D6006	D6008	D6009	D6009	D6009	D6009	D6009
	Bowen No.	1849	426	427	427	427	427	427
JUNK CATCHER ASSEMBLY (See Note 1)	Logan Part No.	600-022	600-023	600-024	500-019	600-026	600-027	600-028
	Bowen No.	21725W	18725W	14633W	18945W	21760W	21840W	21770W
TYPE A MILL SHOE (Hard faced Mill Teeth)	Logan Part No.	D8007-A	D8008-A	D8009-A	D8010-A	D8011-A	D8012-A	D8013-A
	Bowen No.	2556A	2574A	2668A	2689A	2695A	2701A	2707A

OPTIONAL COMPONENTS

TYPE B MILL SHOE (Tungsten Carbide Mill Teeth)	Logan Part No.	D8007-B	D8008-B	D8009-B	D8010-B	D8011-B	D8012-B	D8013-B
	Bowen No.	2556B	2574B	2668B	2689B	2695B	2701B	2707B
TYPE C MILL SHOE (Tungsten Carbide Faced)	Logan Part No.	D8007-C	D8008-C	D8009-C	D8010-C	D8011-C	D8012-C	D8013-C
	Bowen No.	2556C	2574C	2668C	2689C	2695C	2701C	2707C
FINGER SHOES (Complete Assembly)	Logan Part No.	600-107	600-108	600-109	600-110	600-111	600-112	600-113
	Bowen No.	2740	2741	2742	2743	2744	2745	2746
	Max. Dia. of Fish	6-3/4	7-23/32	9	9-15/16	11	11-7/8	13
BODY	Logan Part No.	D7007	D7008	D7009	D7010	D7011	D7012	D7013
	Bowen No.	2740-2	2741-2	2742-2	2743-2	2744-2	2745-2	2746-2
REPLACEMENT	Logan Part No.	D10007	D10008	D10009	D10010	D10011	D10012	D10013
	Bowen No.	2740-1	2741-1	2742-1	2743-1	2744-1	2745-1	2746-1
MAGNET INSERTS (Complete Assembly)	Logan Part No.	600-052	600-053	600-054	600-055	600-056	600-057	600-058
	Bowen No.	61947	61953	61965	61963	61973	61975	61983
MAGNETIC ASSEMBLY	Logan Part No.	600-073	600-074	600-075	600-075	600-076	600-076	600-077
	Bowen No.	61820	61822	61826	61826	61828	61828	61830
ADAPTER	Logan Part No.	E4020	E4021	E4022	E4023	E4024	E4025	E4026
	Bowen No.	61948	61954	61966	61968	61974	61976	61982

Logan Oil Tools reserves the right to change or discontinue designs without notice.

Special Notes:

- (1) For component breakdown of the junk catcher assemblies, refer to Junk Catcher Assemblies chart.
- (2) For type A, B, or C shoes: unless specified, shoes will be furnished with the same O.D. as minimum hole size shown.
- (3) Finger shoe replacements are furnished with the same O.D. as standard shoe unless otherwise specified.

When ordering, please specify:

- (1) Complete assembly or part number
- (2) Top Sub connection
- (3) O.D. and type of shoe

Recommended Spare Parts:

- (1) 2 Upper Catchers
- (2) 2 Lower Catchers
- (3) 2 Mill Shoes
- (4) 2 Finger Shoes
- (5) 4 Finger Shoe Replacements

REVERSE CIRCULATION JUNK BASKETS

HOLE SIZE		16 to 17-1/2						
BARREL O.D.		15						
MAXIMUM DIAMETER OF FISH		11-1/8						
COMPLETE ASSEMBLY	Logan Part No.	302-1500						
	Bowen No.	2708						
TOP SUB	Logan Part No.	D1014						
	Bowen No.	2709						
BARREL	Logan Part No.	D2014						
	Bowen No.	2710						
VALVE CUP	Logan Part No.	D3009						
	Bowen No.	2662						
STEEL BALL	Logan Part No.	D4009						
	Bowen No.	2665						
VALVE SEAT	Logan Part No.	D5009						
	Bowen No.	2663						
LIFTING SUB	Logan Part No.	D6009						
	Bowen No.	427						
JUNK CATCHER ASSEMBLY (See Note 1)	Logan Part No.	600-029						
	Bowen No.	21775W						
TYPE A MILL SHOE (Hard faced Mill Teeth)	Logan Part No.	D8014-A						
	Bowen No.	2713A						

OPTIONAL COMPONENTS

TYPE B MILL SHOE (Tungsten Carbide Mill Teeth)	Logan Part No.	D8014-B						
	Bowen No.	2713B						
TYPE C MILL SHOE (Tungsten Carbide Faced)	Logan Part No.	D8014-C						
	Bowen No.	2713C						
FINGER SHOES (Complete Assembly)	Logan Part No.	600-114						
	Bowen No.	2747						
	Max. Dia. of Fish	15-1/4						
BODY	Logan Part No.	D7014						
	Bowen No.	2747-2						
REPLACEMENT	Logan Part No.	D10014						
	Bowen No.	2747-1						
MAGNET INSERTS (Complete Assembly)	Logan Part No.	600-059						
	Bowen No.	61985						
MAGNETIC ASSEMBLY	Logan Part No.	600-078						
	Bowen No.	61832						
ADAPTER	Logan Part No.	E4027						
	Bowen No.	61986						

Logan Oil Tools reserves the right to change or discontinue designs without notice.

Special Notes:

- (1) For component breakdown of the junk catcher assemblies, refer to Junk Catcher Assemblies chart.
- (2) For type A, B, or C shoes: unless specified, shoes will be furnished with the same O.D. as minimum hole size shown.
- (3) Finger shoe replacements are furnished with the same O.D. as standard shoe unless otherwise specified.

When ordering, please specify:

- (1) Complete assembly or part number
- (2) Top Sub connection
- (3) O.D. and type of shoe

Recommended Spare Parts:

- (1) 2 Upper Catchers
- (2) 2 Lower Catchers
- (3) 2 Mill Shoes
- (4) 2 Finger Shoes
- (5) 4 Finger Shoe Replacements