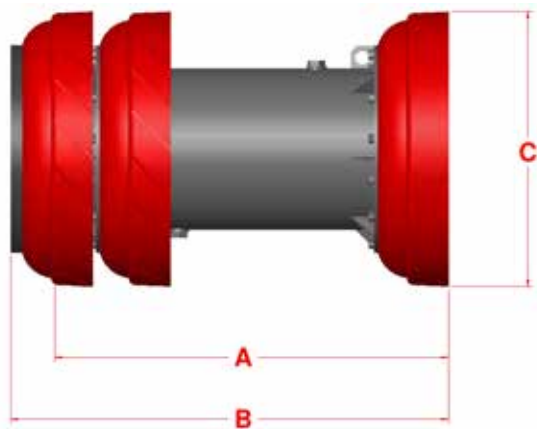


SCRAPER CUP

JC

16-48" (406-1219mm)

The unique design of the JC Cup provides the user all the advantages of the Apache Series C Cup with the added benefit of the jetting action. The grooves in the surface of the cup create five times the cleaning surface enabling a calibrated amount of fluid to pass along the pipe wall to jet away and suspend any wax, sand or other debris.



| Size | A | B | C | Weight | Part # |
|------|--------|--------|--------|--------|----------|
| 16" | 22.500 | 25.875 | 16.000 | 115 | 70380316 |
| 20" | 28.500 | 32.375 | 19.875 | 187 | 70380320 |
| 22" | 31.375 | 35.500 | 21.875 | 215 | 70380322 |
| 24" | 34.375 | 38.250 | 23.875 | 269 | 70380324 |
| 30" | 42.125 | 47.125 | 29.875 | 426 | 70380330 |
| 36" | 49.250 | 54.750 | 36.000 | 644 | 70380336 |
| 42" | 56.500 | 62.500 | 42.125 | 942 | 70380342 |
| 48" | 61.625 | 68.125 | 47.625 | 1141 | 70380348 |

Features:

Comes equipped with 2 standard JC series Cups and one rear ported Series C Cup. Standard bumper noses prevent damage to both the pig and in-line auxiliary equipment. All Apache 16"-48" pigs are manufactured with by-pass ports. The ports have threaded plugs that can be removed if by-pass is required.

Options:

- Circular flat carbon steel, stainless steel, pencil or plastic brushes.
- Magnets available.