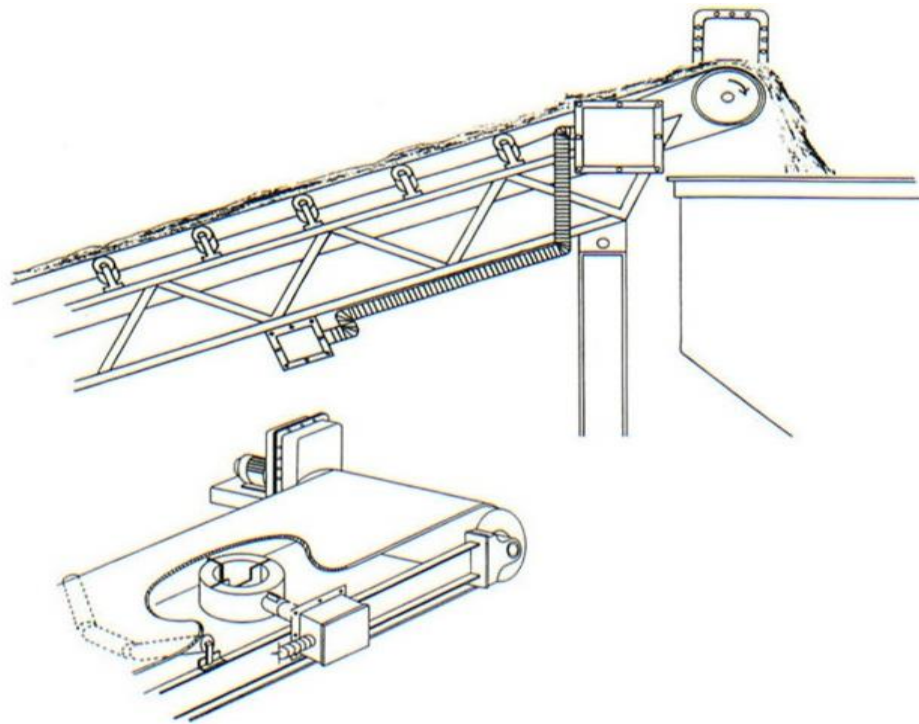




Model C



Description

The Model C Drive Roll Heater is used to eliminate drive roll slippage. This system is economical to operate, even on large belts at high speeds as long as it can be located close to the drive roll so as to allow escaping heat to contact the roll surface. As with all belt heaters, when the drive roll is in an enclosure containing coal dust or other flammable substances, the unit must be installed outside in the free air. This typically requires a higher heat output to raise the belt surface temperature enough to de-ice the drive roll.

Material Slideback Model C

